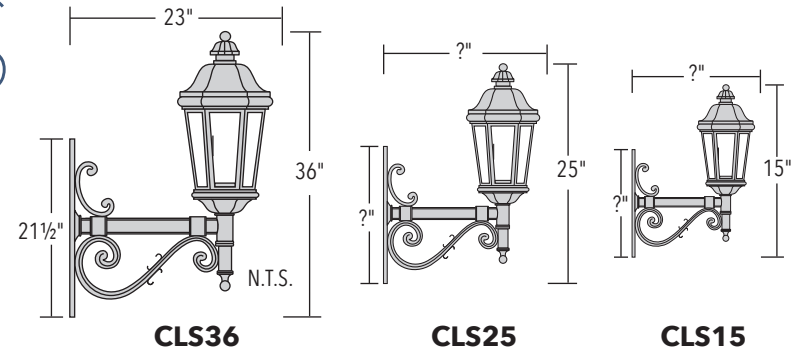


CLASSIC 2 SERIES

AREA LIGHTING | WALL MOUNT



SPECIFICATIONS

LUMINAIRE All aluminum construction.

DRIVER Electronic LED driver, 120-277V
Options: 480V Driver, Dimming control 0-10V.

ELECTRICAL All components UL recognized. Luminaire shipped complete & ready to install.

FINISH Powder coat – Standard colors are Black, White, Dark Green & Dark Bronze. Custom colors available, consult factory. All exposed hardware shall be stainless-steel.

FEATURES + BENEFITS

- Industry leading LED systems
- High efficiency & energy savings
- Environmentally friendly
- Reliable & low-maintenance
- 7-year limited warranty
- UL Listed electrical components
- Suitable for wet locations

ORDER INFORMATION EXAMPLE: CLS25-75W-5K-SMT-OPL V-WM-DBZ-BPC

SERIES	WATTAGE	COLOR TEMP.	VOLTAGE	OPTICS	MOUNTING	FINISH	OPTIONS
CLS15	5W-100W PLEASE SPECIFY	27K 2700K	SMT 120-277V	CL CLEAR LENS	PT POST TOP	BLK BLACK	DIM 0-10V DIMMING
CLS25		3K 3000K	480V	OPL OPAL LENS	WM WALL MOUNT	WHT WHITE	BPC BUTTON PHOTO-CELL
CLS36		35K 3500K		TYPE II		GRN DARK GREEN	HSS HOUSE SDE SHIELD
		4K 4000K		TYPE III		DBZ DARK BRONZE	MS MOTION SENSOR
		5K 5000K		TYPE IV		CC CUSTOM COLOR	
		CUSTOM COLOR TEMP. CONSULT FACTORY		TYPE V			



ECHO LIGHTING, INC.
Designers and Manufacturers
of Outdoor Lighting

Ph.: +1-323-890-9008
Fax: +1-323-890-1981
Email: info@echoltg.com

5618 E. Washington Blvd.
Commerce, CA 90040
www.echolighting.com