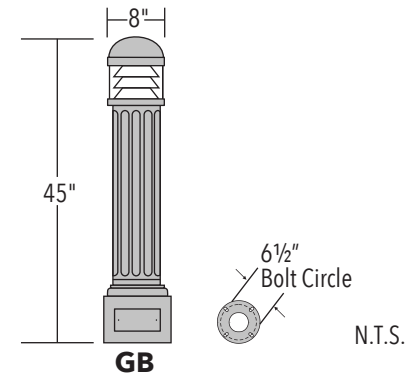
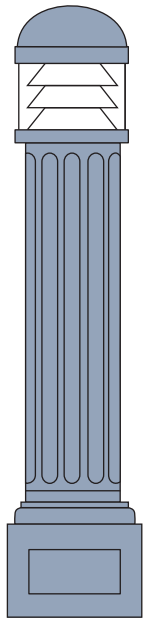


GB SERIES

BOLLARDS | DECORATIVE



SPECIFICATIONS

LUMINAIRE All aluminum construction.

DRIVER Electronic LED driver, 120-277V
Options: 480V Driver, Dimming control 0-10V.

ELECTRICAL All components UL recognized. Luminaire shipped complete & ready to install.

FINISH Powder coat – Standard colors are Black, White, Dark Green & Dark Bronze. Custom colors available, consult factory. All exposed hardware shall be stainless-steel.

FEATURES + BENEFITS

- Industry leading LED systems
- High efficiency & energy savings
- Environmentally friendly
- Reliable & low-maintenance
- 7-year limited warranty
- UL Listed electrical components
- *Suitable for wet locations*

ORDER INFORMATION EXAMPLE: GB-30W-5K-SMT-SL V-GRN-DIM

| SERIES | WATTAGE | COLOR TEMP. | VOLTAGE | OPTICS | MOUNTING | FINISH | OPTIONS |
|--------|--------------------------|--|-------------------------|---|----------|---|--|
| GB | 5W-32W PLEASE SPECIFY | 27K 2700K 3K 3000K 35K 3500K 4K 4000K 5K 5000K CUSTOM COLOR TEMP. CONSULT FACTORY | SMT 120-277V 480V | SL STACKED LOUVERS CL CLEAR LENS OPL OPAL LENS TYPE II TYPE III TYPE IV TYPE V | N/A | BLK BLACK WHT WHITE GRN DARK GREEN DBZ DARK BRONZE CC CUSTOM COLOR | DIM 0-10V DIMING EMB INTEGRATED EMERGENCY BATTERY |



ECHO LIGHTING, INC.
Designers and Manufacturers
of Outdoor Lighting

Ph.: +1-323-890-9008
Fax: +1-323-890-1981
Email: info@echoltg.com

5618 E. Washington Blvd.
Commerce, CA 90040
www.echolighting.com