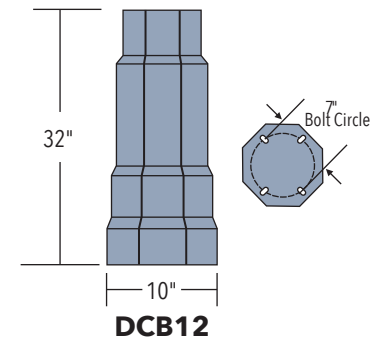
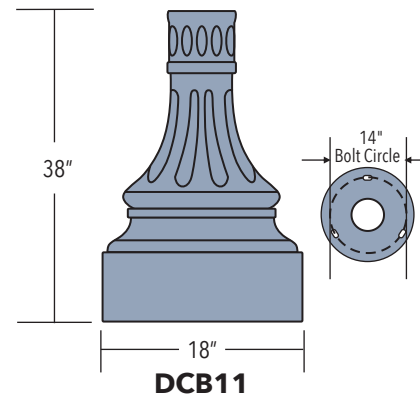
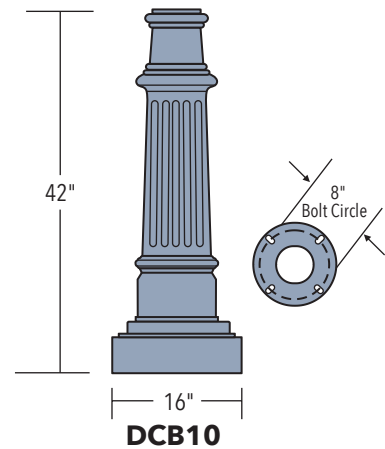
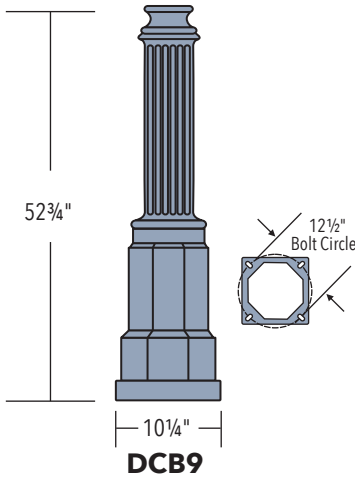
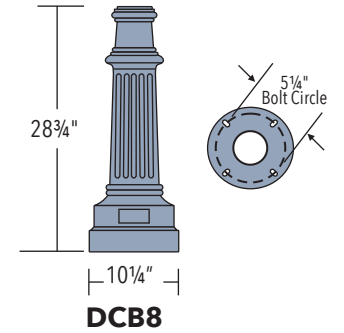
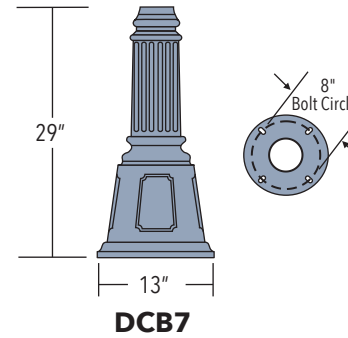
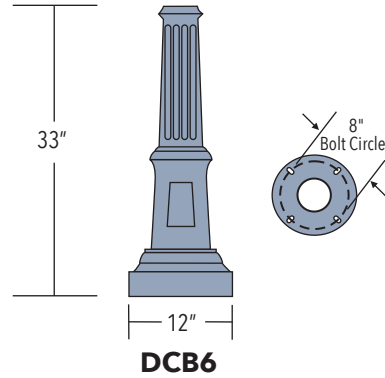
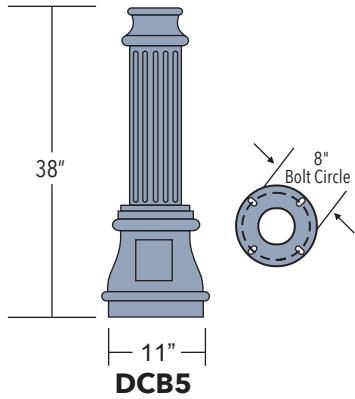
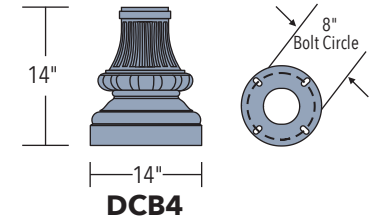
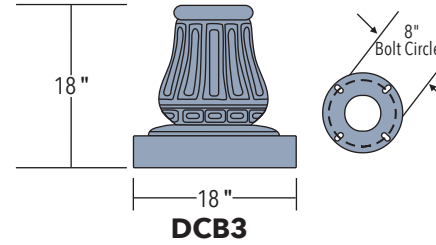
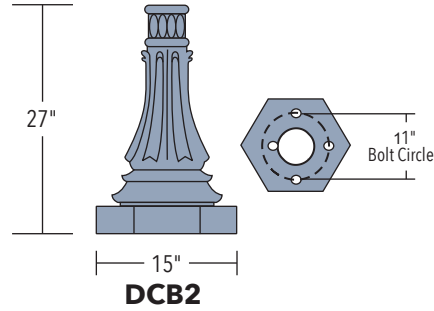
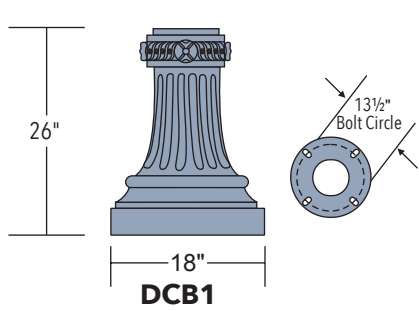


DECORATIVE BASES

1-PIECE HEAVY WALL CAST ALUMINUM



ECHO LIGHTING, INC.
Designers and Manufacturers
of Outdoor Lighting

Ph.: +1-323-890-9008
Fax: +1-323-890-1981
Email: info@echolgt.com

5618 E. Washington Blvd.
Commerce, CA 90040
www.echolighting.com