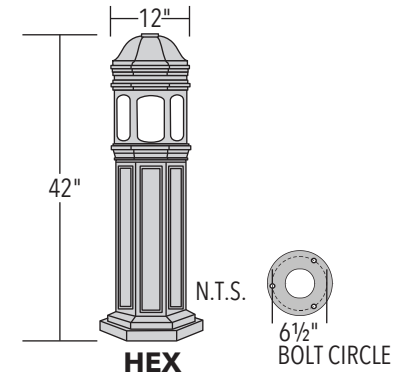


# HEX42 SERIES

BOLLARDS | DECORATIVE



## SPECIFICATIONS

**LUMINAIRE** All aluminum construction.

**DRIVER** Electronic LED driver, 120-277V  
*Options: 480V Driver, Dimming control 0-10V.*

**ELECTRICAL** All components UL recognized. Luminaire shipped complete & ready to install.

**FINISH** Powder coat – Standard colors are Black, White, Dark Green & Dark Bronze. *Custom colors available, consult factory.*  
All exposed hardware shall be stainless-steel.

## FEATURES + BENEFITS

- Industry leading LED systems
- High efficiency & energy savings
- Environmentally friendly
- Reliable & low-maintenance
- 7-year limited warranty
- UL Listed electrical components
- *Suitable for wet locations*

## ORDER INFORMATION EXAMPLE: HEX-50W-35K-SMT-OPL V-BLK

SERIES	WATTAGE	COLOR TEMP.	VOLTAGE	OPTICS	MOUNTING	FINISH	OPTIONS
HEX	5W-32W <small>PLEASE SPECIFY</small>	27K <small>2700K</small> 3K <small>3000K</small> 35K <small>3500K</small> 4K <small>4000K</small> 5K <small>5000K</small> <small>CUSTOM COLOR TEMP. CONSULT FACTORY</small>	SMT <small>120-277V</small>  480V	OPL <small>OPAL LENS</small> TYPE II TYPE III TYPE IV TYPE V	N/A	BLK <small>BLACK</small>  WHT <small>WHITE</small>  GRN <small>DARK GREEN</small>  DBZ <small>DARK BRONZE</small>  CC <small>CUSTOM COLOR</small>	DIM <small>0-10V DIMING</small>  EMB <small>INTEGRATED EMERGENCY BATTERY</small>



**ECHO LIGHTING, INC.**  
*Designers and Manufacturers  
of Outdoor Lighting*

Ph.: +1-323-890-9008  
Fax: +1-323-890-1981  
Email: [info@echoltg.com](mailto:info@echoltg.com)

5618 E. Washington Blvd.  
Commerce, CA 90040  
[www.echolighting.com](http://www.echolighting.com)