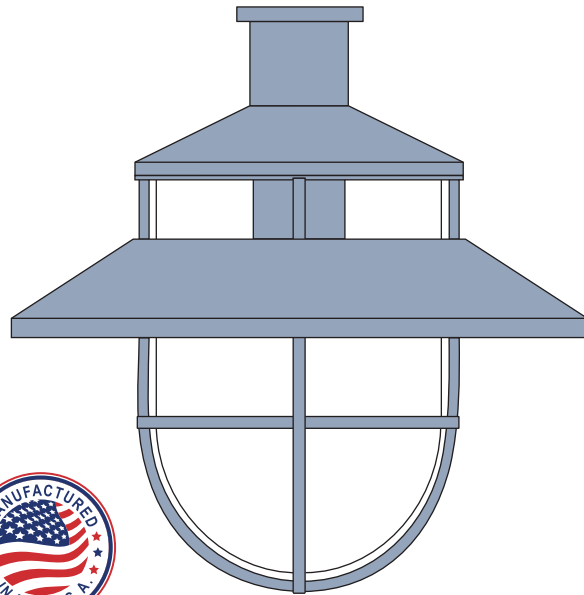
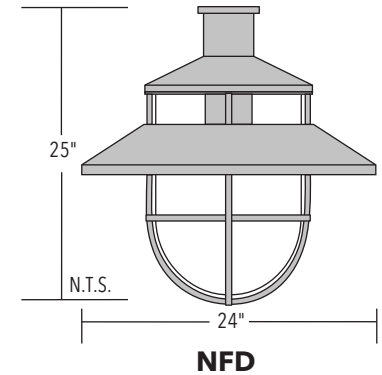


NORTHFIELD SERIES

AREA LIGHTING | PENDANT MOUNT



SPECIFICATIONS

LUMINAIRE All aluminum construction.

DRIVER Electronic LED driver, 120-277V
Options: 480V Driver, Dimming control 0-10V.

ELECTRICAL All components UL recognized. Luminaire shipped complete & ready to install.

FINISH Powder coat – Standard colors are Black, White, Dark Green & Dark Bronze. *Custom colors available, consult factory.*
All exposed hardware shall be stainless-steel.

FEATURES + BENEFITS

- Industry leading LED systems
- High efficiency & energy savings
- Environmentally friendly
- Reliable & low-maintenance
- 7-year limited warranty
- UL Listed electrical components
- *Suitable for wet locations*

ORDER INFORMATION *EXAMPLE: LTN-50W-35K-SMT-OPL V-PT-GRN-DIM*

SERIES	WATTAGE	COLOR TEMP.	VOLTAGE	OPTICS	MOUNTING	FINISH	OPTIONS
NFD	5W-80W <i>PLEASE SPECIFY</i>	27K 2700K 3K 3000K 35K 3500K 4K 4000K 5K 5000K <i>CUSTOM COLOR TEMP. CONSULT FACTORY</i>	SMT 120-277V 480V	CLD <i>CLEAR DOME</i> TYPE II TYPE III TYPE IV TYPE V OPD <i>OPAL DOME</i> TYPE V	PM <i>PENDANT MOUNT</i> WM <i>WALL MOUNT</i> <i>PLEASE SPECIFY TENON SIZE OR POLE DIA.</i>	BLK <i>BLACK</i> WHT <i>WHITE</i> GRN <i>DARK GREEN</i> DBZ <i>DARK BRONZE</i> CC <i>CUSTOM COLOR</i>	DIM <i>0-10V DIMMING</i> BPC <i>BUTTON PHOTO-CELL</i>



ECHO LIGHTING, INC.
*Designers and Manufacturers
of Outdoor Lighting*

Ph.: +1-323-890-9008
Fax: +1-323-890-1981
Email: info@echoltg.com

5618 E. Washington Blvd.
Commerce, CA 90040
www.echolighting.com