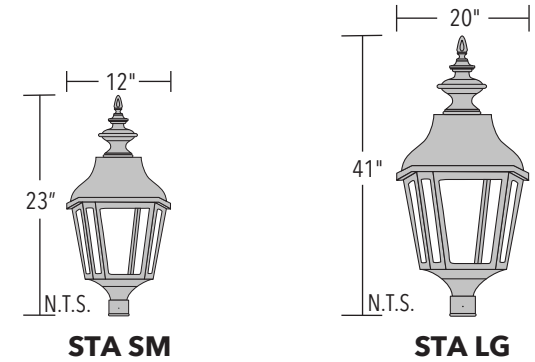


STANFORD SERIES

AREA LIGHTING | POST TOP



FEATURES + BENEFITS

- Industry leading LED systems
- High efficiency & energy savings
- Environmentally friendly
- Reliable & low-maintenance
- 7-year limited warranty
- UL Listed electrical components
- *Suitable for wet locations*

SPECIFICATIONS

LUMINAIRE All aluminum construction; heavy wall cast aluminum housing.

DRIVER Electronic LED driver, 120-277V
Options: 480V Driver, Dimming control 0-10V.

ELECTRICAL All components UL recognized. Luminaire shipped complete & ready to install.

FINISH Powder coat – Standard colors are Black, White, Dark Green & Dark Bronze. *Custom colors available, consult factory.*
All exposed hardware shall be stainless-steel.

ORDER INFORMATION EXAMPLE: STA LG-35W-3K-SMT-OF II-PT-BLK-BPC

SERIES	WATTAGE	COLOR TEMP.	VOLTAGE	OPTICS	MOUNTING	FINISH	OPTIONS
STA SM	STA SM	27K	SMT	OF	PT	BLK	DIM
STA LG	5W-50W PLEASE SPECIFY	2700K	120-277V	OPEN FRAME	POST TOP	BLACK	0-10V DIMMING
		3K	480V	CL	PLEASE SPECIFY	WHT	BPC
		3000K		CLEAR LENS	TENON SIZE	WHITE	BUTTON PHOTO-CELL
	STA LG	35K		OPL	WM	GRN	HSS
	5W-150W	3500K		OPAL LENS	WALL MOUNT	DARK GREEN	HOUSE-SIDE SHIELD
	PLEASE SPECIFY	4K		TYPE II		DBZ	MS
		4000K		TYPE III		DARK BRONZE	MOTION SENSOR
		5K		TYPE IV		CC	*EMB
		5000K		TYPE V		CUSTOM COLOR	INTEGRATED
		CUSTOM COLOR TEMP. CONSULT FACTORY					EMERGENCY
							BATTERY
							*ONLY AVAILABLE ON STA LG



ECHO LIGHTING, INC.
*Designers and Manufacturers
of Outdoor Lighting*

Ph.: +1-323-890-9008
Fax: +1-323-890-1981
Email: info@echoltg.com

5618 E. Washington Blvd.
Commerce, CA 90040
www.echolighting.com