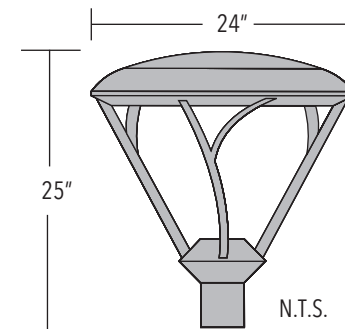
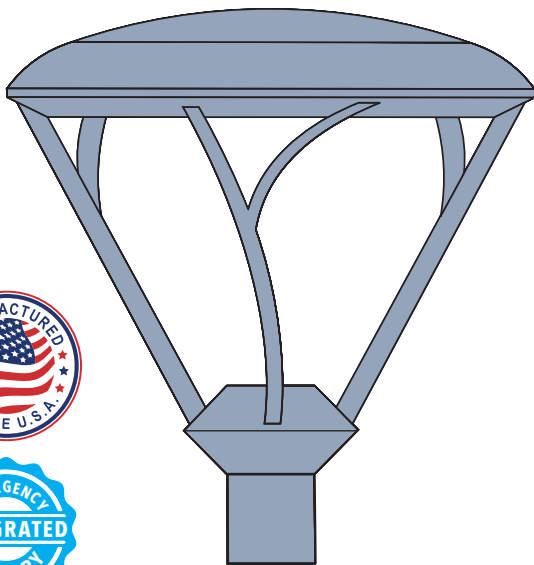


# ARIALA SERIES

AREA LIGHTING | POST TOP



**ARLA**

## SPECIFICATIONS

**LUMINAIRE** All aluminum construction

**DRIVER** Electronic LED driver, 120-277V  
*Options: 480V Driver, Dimming control 0-10V.*

**ELECTRICAL** All components UL recognized. Luminaire shipped complete & ready to install.

**FINISH** Powder coat – Standard colors are Black, White, Dark Green & Dark Bronze. *Custom colors available, consult factory.*  
All exposed hardware shall be stainless-steel.

## FEATURES + BENEFITS

- Industry leading LED systems
- High efficiency & energy savings
- Environmentally friendly
- Reliable & low-maintenance
- 7-year limited warranty
- UL Listed electrical components
- *Suitable for wet locations*

## ORDER INFORMATION *EXAMPLE: ARLA-100W-4K-SMT-V-PT-BLK-EMB*

| SERIES | WATTAGE                                  | COLOR TEMP.   | VOLTAGE                                    | OPTICS                                   | MOUNTING   | FINISH   | OPTIONS  |
|--------|--|---|--|--|--|--|--|
| ARLA   | 5W-150W<br><small>PLEASE SPECIFY</small> | 27K<br><small>2700K</small><br>3K<br><small>3000K</small><br>35K<br><small>3500K</small><br>4K<br><small>4000K</small><br>5K<br><small>5000K</small><br><small>CUSTOM COLOR TEMP.<br/>CONSULT FACTORY</small> | SMT<br><small>120-277V</small><br><br>480V | TYPE II<br>TYPE III<br>TYPE IV<br>TYPE V | PT<br><small>POST TOP</small><br><br><small>PLEASE SPECIFY<br/>TENON SIZE<br/>OR POLE DIA.</small> | BLK<br><small>BLACK</small><br>WHT<br><small>WHITE</small><br>GRN<br><small>DARK GREEN</small><br>DBZ<br><small>DARK BRONZE</small><br>CC<br><small>CUSTOM COLOR</small> | DIM<br><small>0-10V DIMMING</small><br>BPC<br><small>BUTTON PHOTO-CELL</small><br>MS<br><small>MOTION SENSOR</small><br>EMB<br><small>INTEGRATED<br/>EMERGENCY<br/>BATTERY</small> |



**ECHO LIGHTING, INC.**  
*Designers and Manufacturers  
of Outdoor Lighting*

Ph.: +1-323-890-9008  
Fax: +1-323-890-1981  
Email: info@echoltg.com

5618 E. Washington Blvd.  
Commerce, CA 90040  
www.echolighting.com